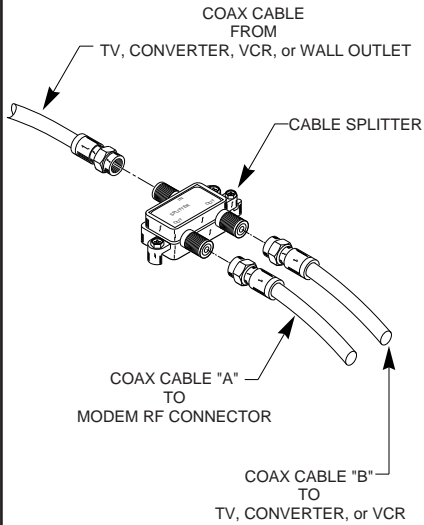
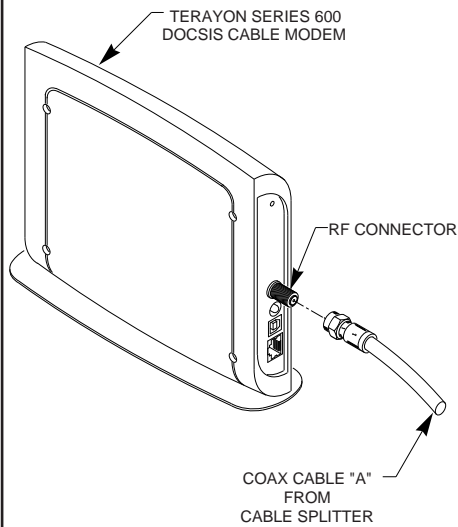


# Quick Install Guide for a Typical 10 Base-T Ethernet Interface

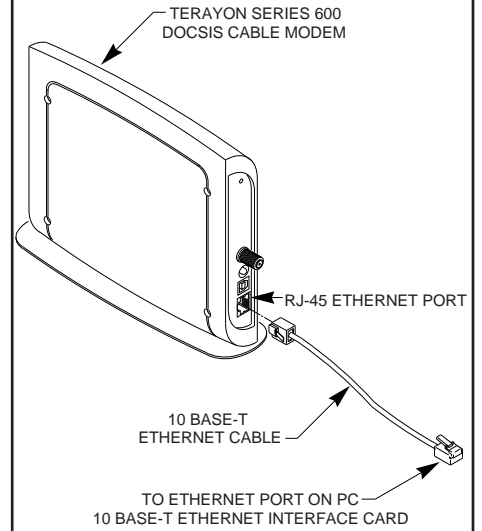
## 1 Install Splitter



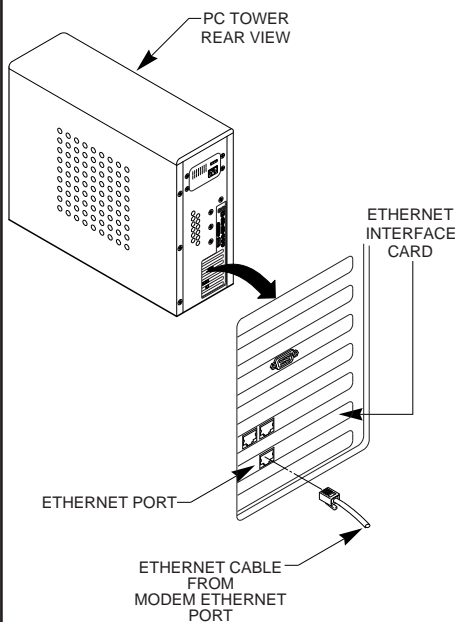
## 2 Connect RF Cable to Modem



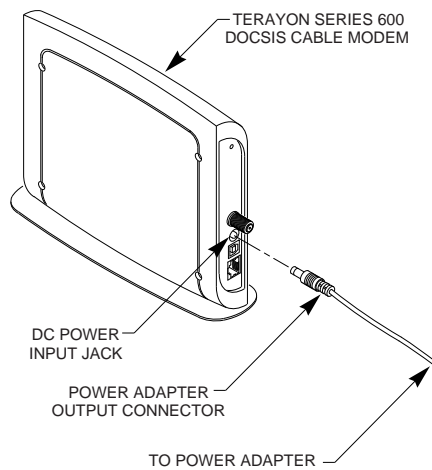
## 3 Connect Ethernet Cable to Modem



## 4 Connect Ethernet Cable to Computer



## 5 Connect Power Adapter to Modem



6

Connect  
Power Adapter  
To  
Appropriate AC Outlet